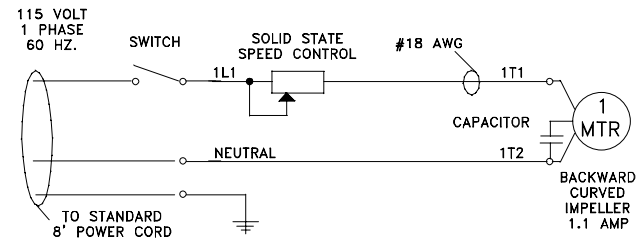
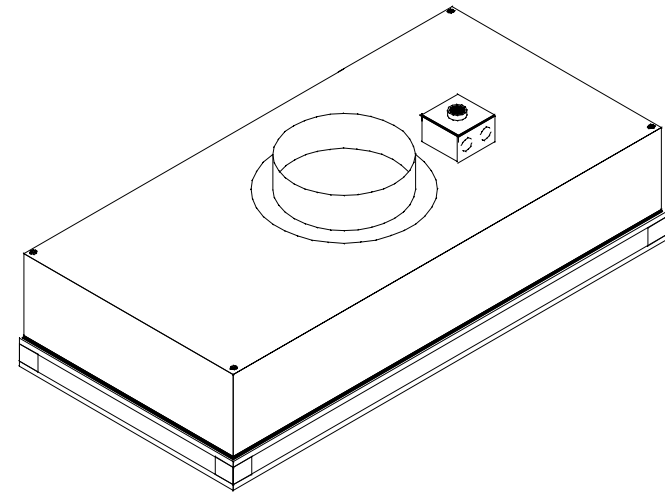
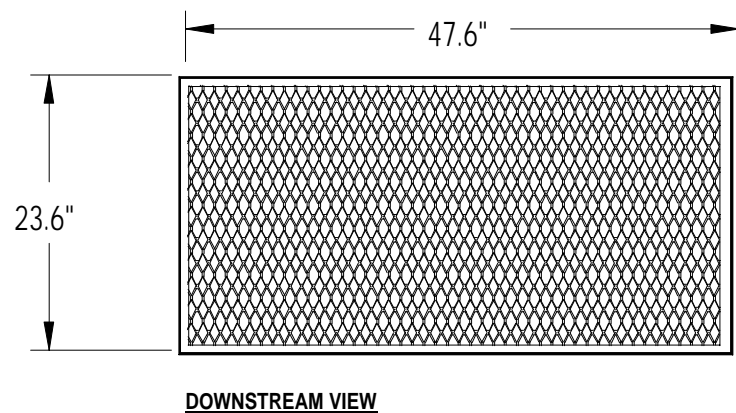
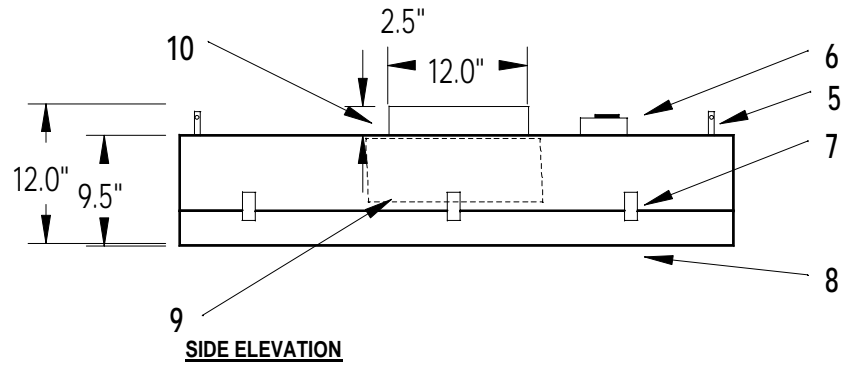
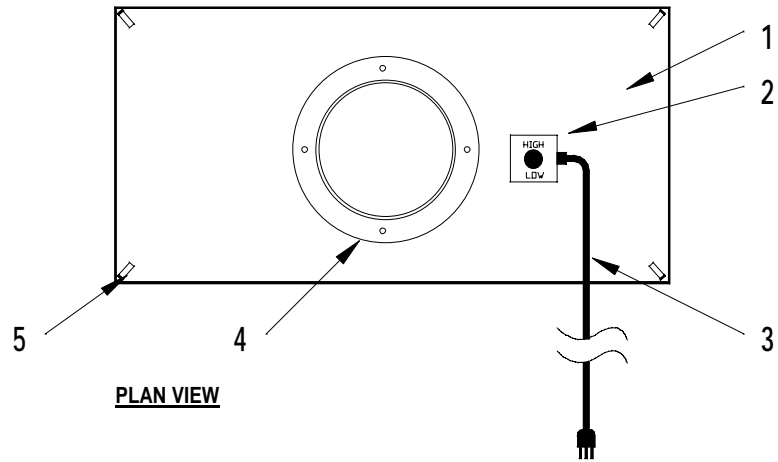


# Clean Access Jazz<sup>FM</sup> Fan Filter Unit - 12" Duct Collar



Draws just over 1 amp (1.1A@115V)

## SCHEMATIC

## LEGEND:

1. Plenum cap
2. Optional speed control
3. Optional power cord
4. 12" duct collar
5. Seismic restraints (4 total)
6. Junction box
7. Latching mechanism
8. Replaceable HEPA 99.99% filter
9. Blower/motor
10. Duct collar